



ULTRATOUGH M&I

The Ultimate in High Speed Rubber Doors

NEW

▶ TOUGH

The UltraTough M&I is built to withstand the harshest environments.

▶ SPEED

The UltraTough M&I opens at speeds up to 60" per second.

▶ WIRELESS SAFETY SYSTEM

Albany's patent pending Wireless Safety System eliminates costly repairs and downtime associated with coil cords.

▶ PANEL MATERIAL

Two layers of thick SBR and polyester fabric provides superb durability and has a lifetime warranty.

▶ CONTROLS

Albany's UltraSmart™ Controller is people friendly and extremely intuitive.

▶ WIND RESISTANT

Patented Windlok design enables the UltraTough M&I to resist winds of up to 135 mph.

▶ TRUCKGUARD SAFETY SYSTEM

Intelligent safety light system eliminates contact with objects in the doorway. (Optional)

▶ MAINTENANCE

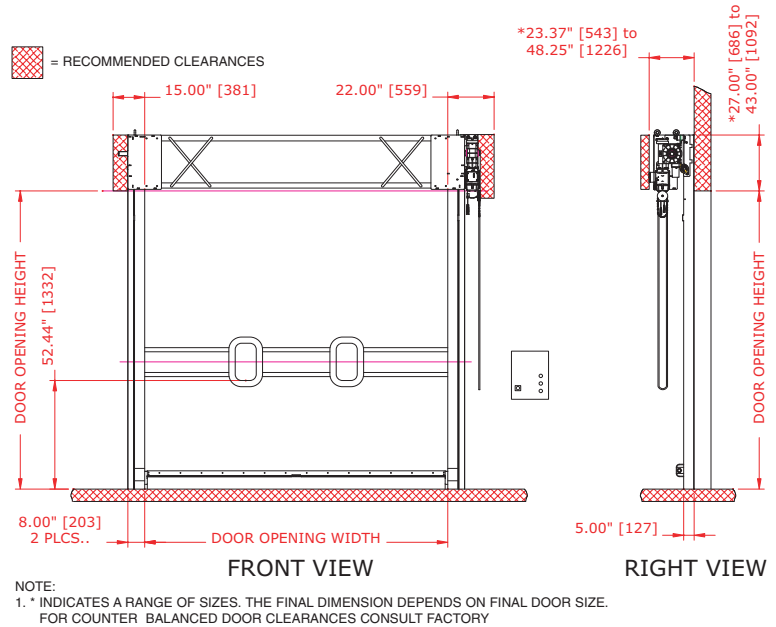
The UltraTough M&I is designed with a direct drive system that uses a minimum number of moving parts, decreasing maintenance costs and increasing door life.

Albany Door Systems' UltraTough M&I Re-Coil-Away, "The World's Toughest High Speed Rubber Door", provides dependable performance in the most rugged industrial applications. The heavy duty side frames, thick rubber curtain and patented windlok design form a near airtight seal and can resist wind pressures of up to 135 mph. The UltraTough M&I is designed to last. It is durable, safe, low cost to maintain and can take a hit.



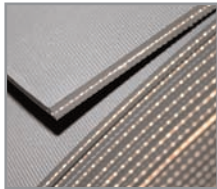
ULTRATOUGH M&I

Albany's UltraTough M&I high speed rubber doors are fast, built to last, and engineered to cycle hundreds of thousands of times.



Springless Design

Springless door design uses a direct drive system that eliminates the need for chains and sprockets, resulting in lower maintenance costs.



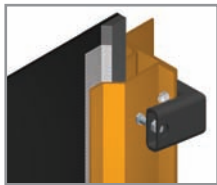
UltraStrong Curtain

Warranted for the life of the door, the thick two layer SBR and high tensile strength polyester fabric provides superb resiliency in harsh environments.



TruckGuard Safety System (Optional)

Intelligent safety light system eliminates contact with objects in the doorway. Mounted on the side guides, Albany's light system prevents activation due to curtain wind deflection.



Patented Continuous Windlok Design

Albany's continuous windlok design produces near airtight seals and delivers more resiliency against damage, extreme weather and high windloads.



Heavy Duty Construction

Heavy duty structural steel side columns and header.
No aluminum.



UltraSmart™ Controller

UltraSmart™ walks you through problems on the control screen. Modular components minimize cost and improve reliability.



Wireless Safety System

Albany's patent pending Wireless Safety System eliminates costly repairs and downtime associated with coil cords.