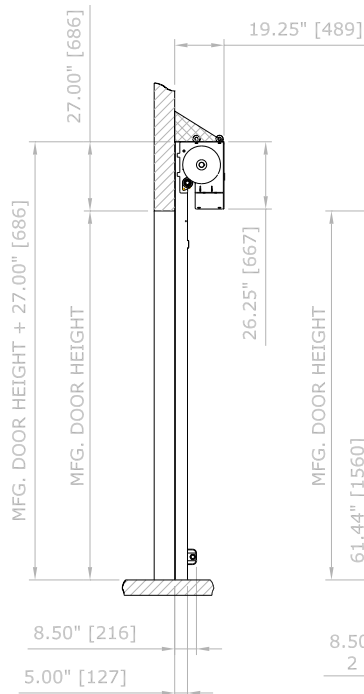




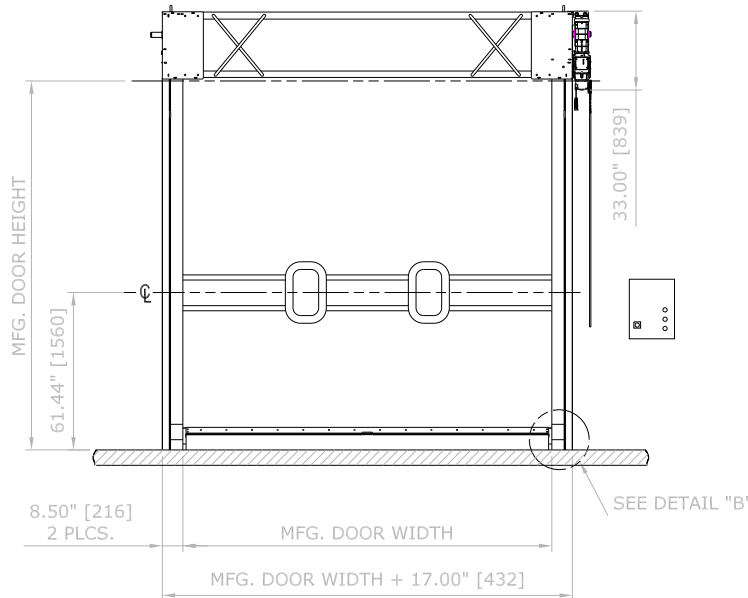
TOP VIEW



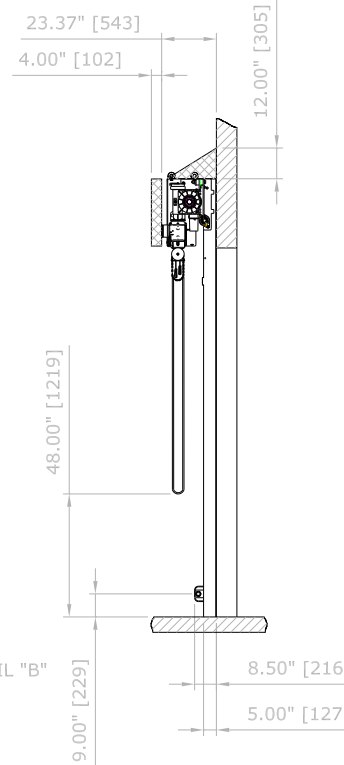
= RECOMMENDED FOR MAINTENANCE,
REQUIRED FOR COVERS



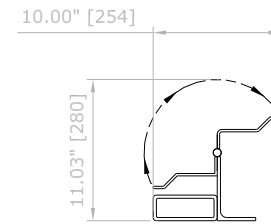
LEFT VIEW



FRONT VIEW



RIGHT VIEW



DETAIL "B"

SPECIFICATIONS & OPTIONS

OPENING SIZE	W=	H=	
MFG. DOOR SIZE	W=	H=	
PRIMARY VOLTAGE	208-240	440-480 575-600	
DRIVE SIDE - (RH / LH)		OPERATOR SPEED (1/2)	
CONTROL PANEL (ACS 50 / PLC)		SPRINGS	NO
		F.R. COVERS (YES / NO)	
WINDBAR (FRONT / REAR / NO)			
WINDOWS (QTY.) DETERMINED BY MFG. DOOR WIDTH			
FABRIC (BLACK SBR / GRAY EPDM / BLUE EPDM)			
DOOR ACTUATORS (QUANTITY)	PUSHBUTTON	<901>	
	PULL SWITCH	<911>	
	FLOOR LOOP	<930>	
	PHOTOCELLS	THRU BEAM <940> REFLECTIVE <941>	
	MOTION DETECTOR	<950>	
	RADIO RECEIVER	<925>	

COMMENTS:

SPRINGLESS UP TO & INCLUDING 12'-0" X 12'-0"

SPEED ZONE #13

CUSTOMER:		APPROVED BY:		ALBANY DOOR SYSTEMS
LOCATION:		APPROVED WITH CHANGES BY:		
SALESMAN / DEALER:		DATE:	SCALE = N.T.S.	
DESCRIPTION:				
ULTRA TOUGH APPROVAL				
DRAWING NO:		DESIGNER:	DATE:	
ULTRA TOUGH-002		J. REITZ	12/07/2007	

Rev	Change	Date	Name