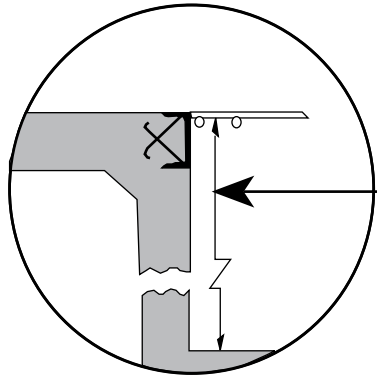
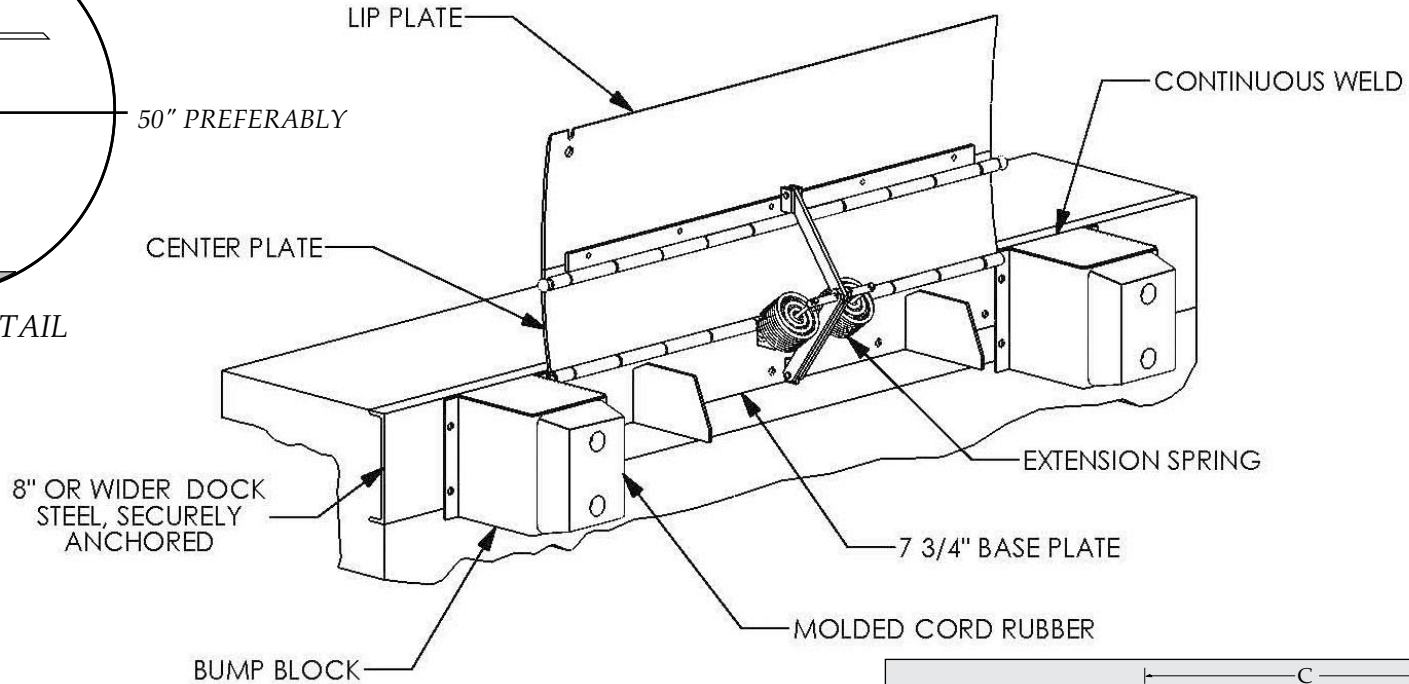


EDE Submittal Drawing



SECTION DETAIL



NOTES: Deck & Lip - 55,000 lb. min. yield steel.



P.O. Box 338
 Spring Hill, Tennessee 37174
 Fax: 931-486-0316
 1-888-702-1163
 1-888-702-1164
 1-888-702-1165
www.pioneerleveler.com

	A	B	C	D	E	F
	Lip		Deck	Overall	Rollover	Plate
Model	Length	Span	Width	Width	Capacity Lbs.	Thickness
EDE66	15"	27 3/4"	66"	96"	20,000	3/8"
EDE66H	15"	27 3/4"	66"	96"	25,000	7/16"
EDE72	15"	29 3/4"	72"	102"	20,000	3/8"
EDE72H	15"	27 3/4"	72"	102"	25,000	7/16"

SPECIFY JOB REQUIREMENTS FROM CHART

--	--	--	--	--	--	--

JOB