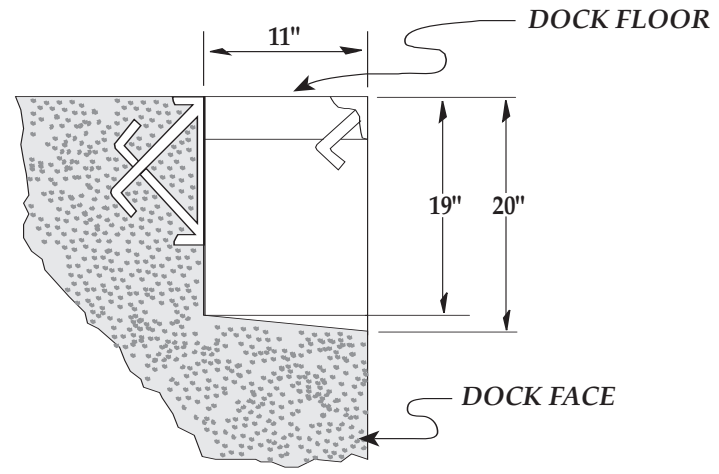
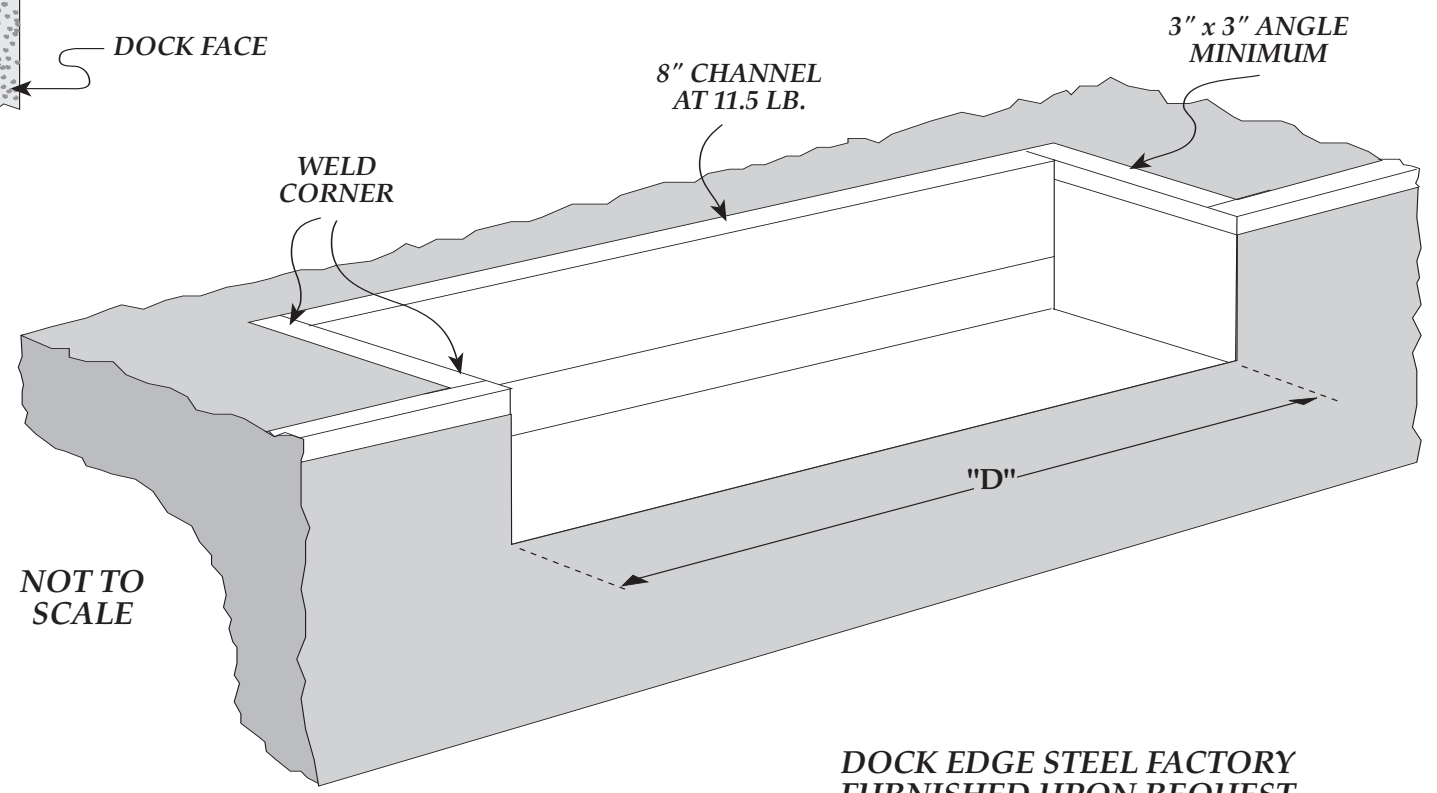


Recessed Bar Lift Submittal Drawing



MODEL BL66R: D = 70"
MODEL BL72R: D = 76"
MODEL BL78R: D = 82"
MODEL BL84R: D = 88"
UNITS FURNISHED WITH 2 EA. LAMINATED BUMPERS



DOCK EDGE STEEL FACTORY
FURNISHED UPON REQUEST



P.O. Box 338 • Spring Hill, Tennessee 37174
 931/486-2296 • 800/251-3382 • Fax: 931/486-0316
 www.pioneerleveler.com

JOB