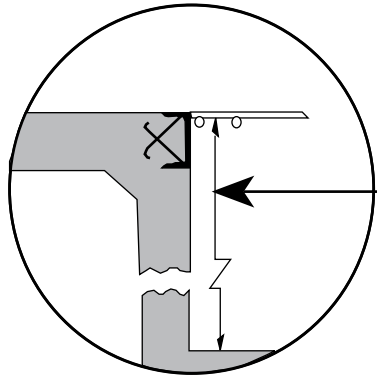
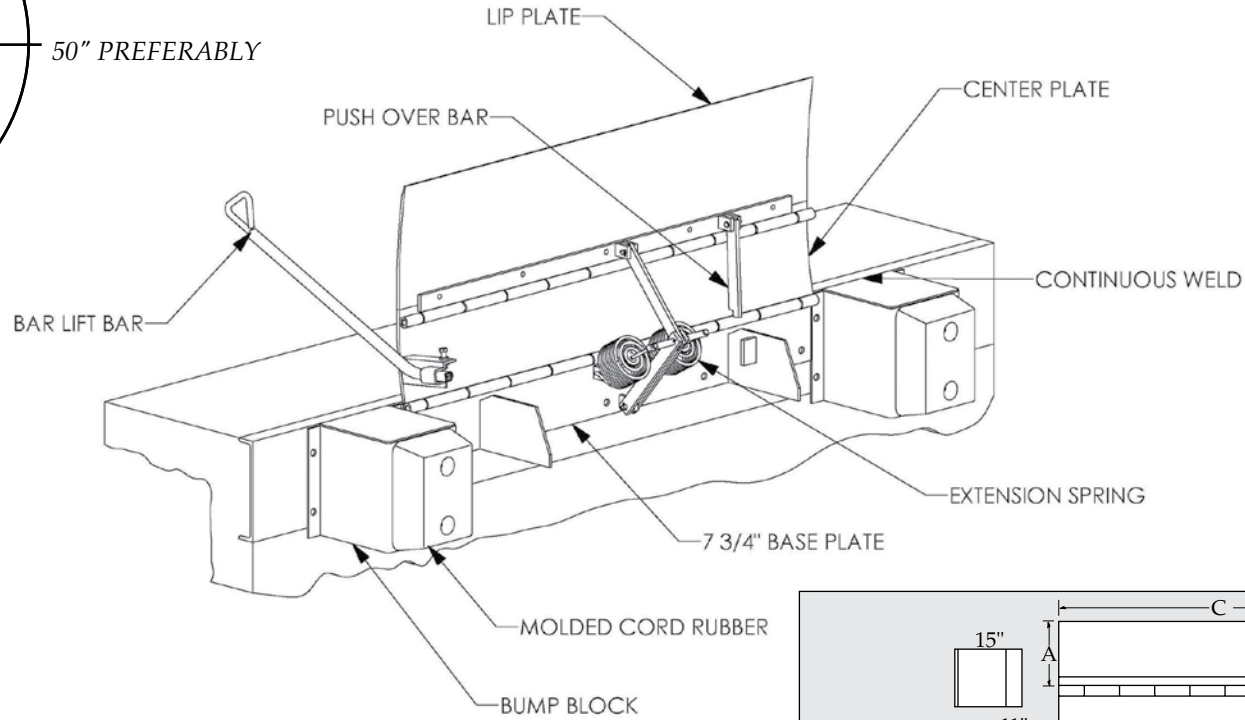


# BLE Submittal Drawing



SECTION DETAIL



NOTES: Deck & Lip - 55,000 lb. min. yield steel.

	A	B	C	D	E	F
	Lip		Deck	Overall	Rollover	Plate
Model	Length	Span	Width	Width	Capacity Lbs.	Thickness
BLE66	15"	27 3/4"	66"	96"	20,000	3/8"
BLE66H	15"	27 3/4"	66"	96"	25,000	7/16"
BLE66-17	17"	29 3/4"	66"	96"	20,000	3/8"
BLE72	15"	27 3/4"	72"	102"	20,000	3/8"

SPECIFY JOB REQUIREMENTS FROM CHART

--	--	--	--	--	--	--



P.O. Box 338 1-888-702-1163  
 Spring Hill, Tennessee 37174 1-888-702-1164  
 Fax: 931-486-0316 1-888-702-1165  
[www.pioneerleveler.com](http://www.pioneerleveler.com)

**JOB**