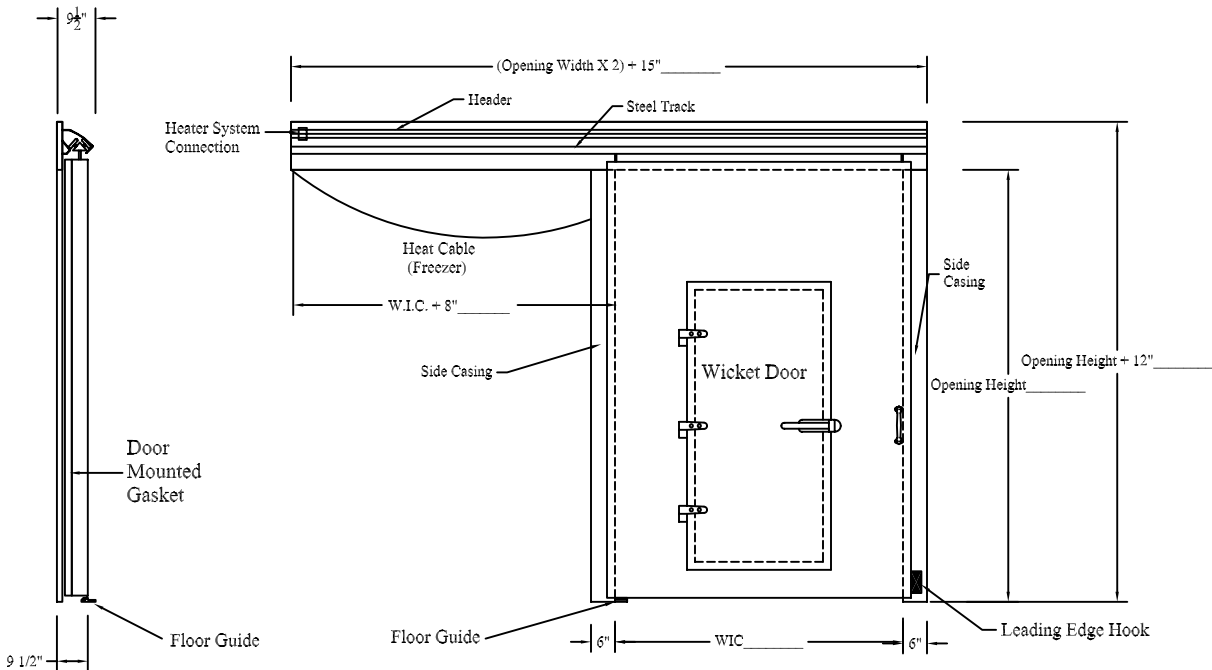




Job Number _____
 Job Name _____
 Date ____/____/____
 Quantity _____
 Signature _____
 On Site Date _____

Manual Droptrack Single Slide Left With Wicket Door



NET OPENING: Width _____ Height _____

FEATURES:

Cooler _____ Freezer _____

Temperature:

Inside _____ °F

Outside _____ °F

Door Panel Thickness: 4" _____ 6" _____

FINISH:

Exterior:

Smooth: Galv _____ White _____ SS _____

Stucco: Galv _____ White _____ Alum _____
 Galvalume _____

Other: _____

Interior:

Smooth: Galv _____ White _____ SS _____

Stucco: Galv _____ White _____ Alum _____
 Galvalume _____

Other: _____

SPECIAL NOTES/INSTRUCTIONS: _____

SPECIAL OPTIONS:

Backup Header & Casings _____

Return Jamb _____ Jamb Caps _____

Wall Thickness _____

Locking Device w/ Safety Release _____

Wall Guide System _____

Kick Plates:

Exterior: Alum _____ SS _____

Interior: Alum _____ SS _____

WICKET DOOR:

_____ X _____

Right Hinge _____ Left Hinge _____

Hardware:

Hinges() _____

Latch/Strike _____ Cyl. Lock _____

Inside Release _____ Closer _____

Panic Hardware _____

Kick Plates:

Exterior: Alum _____ SS _____

Interior: Alum _____ SS _____

View Window:

Non-Heated _____ Heated _____

14 X 14 _____ 14 X 24 _____