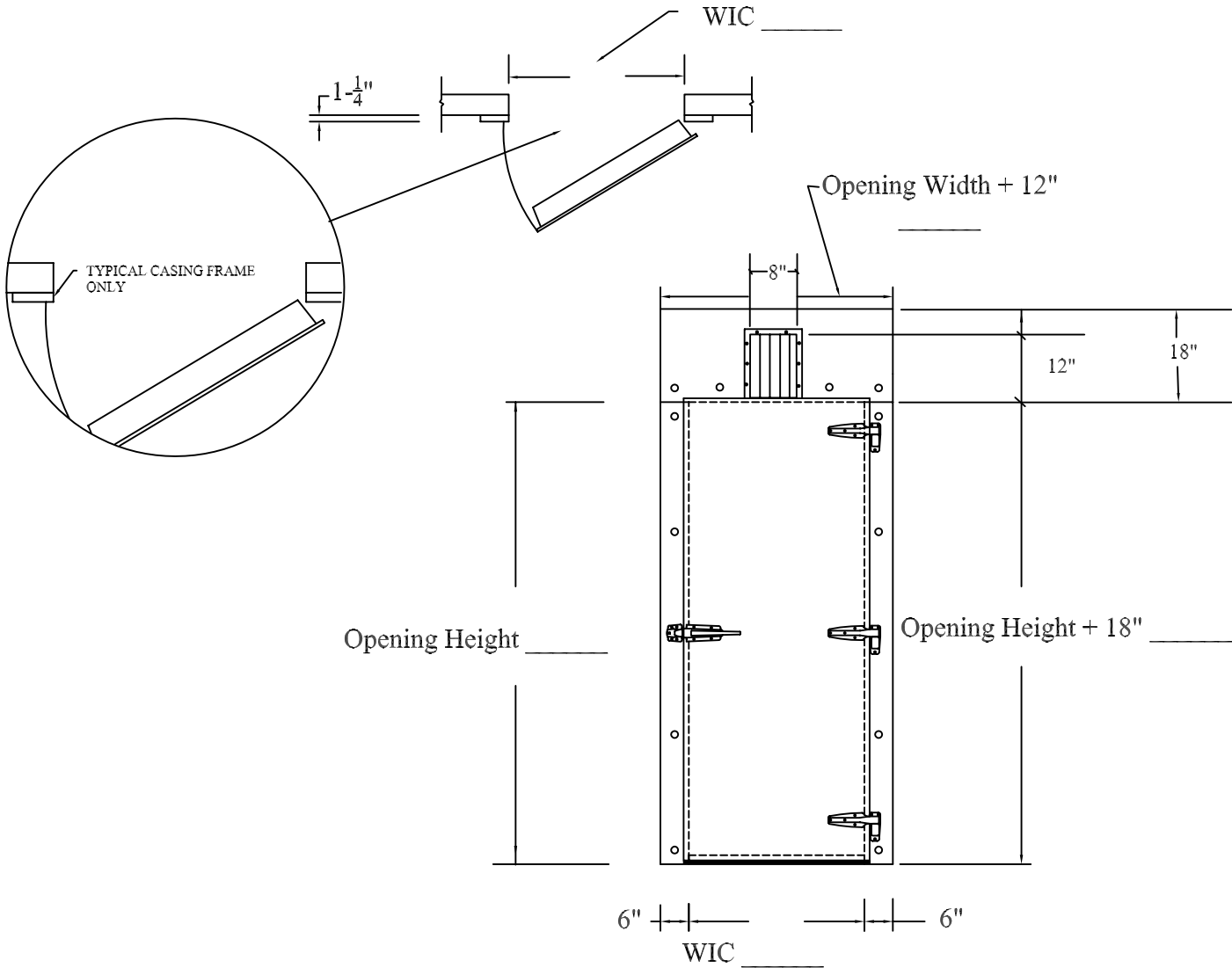




Job Number _____
 Job Name _____
 Date ____/____/____
 Quantity _____
 Serial Number _____

Right Hinge Extruded Aluminum Trackport Casing Frame

With Sweep Bottom



NET OPENING: Width _____ Height _____

FEATURES:

Cooler _____ Freezer _____
 Temperature _____ °F
 Standard Gasket _____
 Heat Cable: (4) Sided _____

FINISH:

Exterior:

Smooth: Galv _____ White _____ SS _____
 Stucco:
 Galvalume _____ White _____ Alum _____
 Other: _____

Interior:

Smooth: Galv _____ White _____ SS _____
 Stucco:
 Galvalume _____ White _____ Alum _____
 Other: _____

HARDWARE:

Hinges () _____
 Latch/Strike _____ Cyl. Lock _____
 Inside Release _____ Closer _____
 Panic Hardware _____

SPECIAL OPTIONS:

Backup Header & Casings _____
 Return Jamb _____ Wall Thickness _____
 Kick Plates:
 Exterior: Alum _____ Galv _____ SS _____
 Interior: Alum _____ Galv _____ SS _____

View Window:

Non-Heated _____ Heated _____
 14 X 14 _____ 14 X 24 _____

SPECIAL NOTES/INSTRUCTIONS: _____

