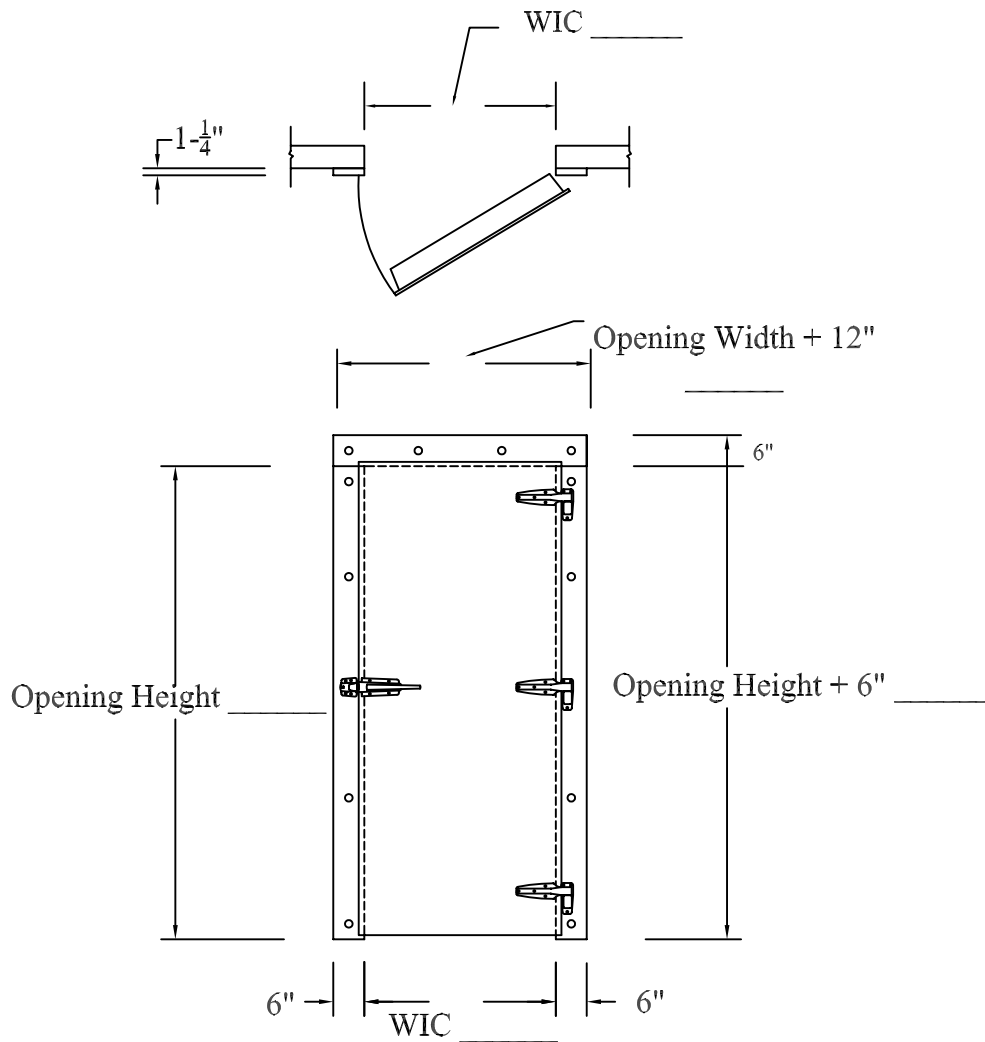




Job Number _____
 Job Name _____
 Date ____/____/____
 Quantity _____
 Serial Number _____

Right Hinge Extruded Aluminum Casing Frame Only

With Sweep Bottom



NET OPENING: Width _____ Height _____

FEATURES:

- Cooler _____ Freezer _____ *
- Temperature _____ °F
- Standard Gasket _____
- *Heat Cable: (3) Sided In Frame & Door Bottom W/Sweep

FINISH:

Exterior:

- Smooth: Galv _____ White _____ SS _____
- Stucco:
- Galvalume _____ White _____ Alum _____
- Other: _____

Interior:

- Smooth: Galv _____ White _____ SS _____
- Stucco:
- Galvalume _____ White _____ Alum _____
- Other: _____

HARDWARE:

- Hinges () _____
- Latch/Strike _____ Cyl. Lock _____
- Inside Release _____ Closer _____
- Panic Hardware _____

SPECIAL OPTIONS:

- Backup Header & Casings _____
- Return Jamb _____ Wall Thickness _____
- Kick Plates:
- Exterior: Alum _____ SS _____
- Interior: Alum _____ SS _____
- View Window:
- Non-Heated _____ Heated _____
- 14 X 14 _____ 14 X 24 _____

SPECIAL NOTES/INSTRUCTIONS: _____

