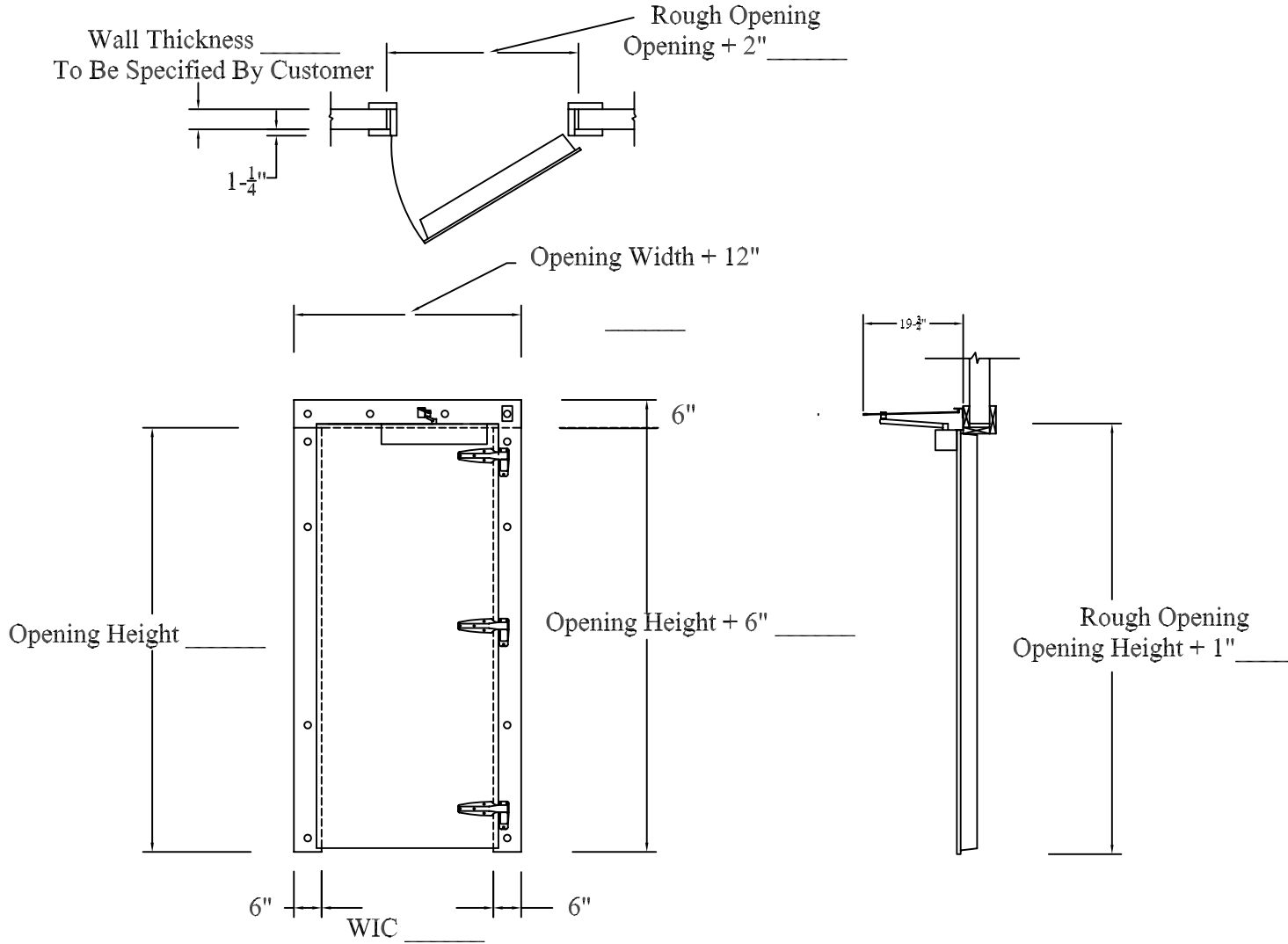


Electric Right Hinge Extruded Aluminum Casing Frame

With 3 Sided Return Jamb & Backup Casings



NET OPENING: Width _____ Height _____

FEATURES:

Cooler _____ Freezer _____ **

Temperature:

Interior _____ °F

Exterior _____ °F

Standard Gasket

Heat Cable: (3) Sided in Frame & Door Bottom

Sweep

FINISH:

Exterior:

Smooth: Galv _____ White _____ SS _____

Stucco: Galvalume _____ White _____ Alum _____

Interior:

Smooth: Galv _____ White _____ SS _____

Stucco: Galvalume _____ White _____ Alum _____

SPECIAL NOTES/INSTRUCTIONS: _____

HARDWARE:

Hinges () _____

SPECIAL OPTIONS:

Backup Header & Casings _____

Return Jamb _____ Wall Thickness _____

Kick Plates:

Exterior: Alum _____ SS _____

Interior: Alum _____ SS _____

View Window:

Non-Heated _____ Heated _____

14 X 14 _____ 14 X 24 _____

ELECTRIC OPERATORS:

Power Source Voltage _____

Power Requirement: 230v/1/60

Control Stations:

2 (1-Button Switch Std) Add. Switches: (Qty) _____

Remote Control _____ Add. Remotes: (Qty) _____

Motion Detector _____