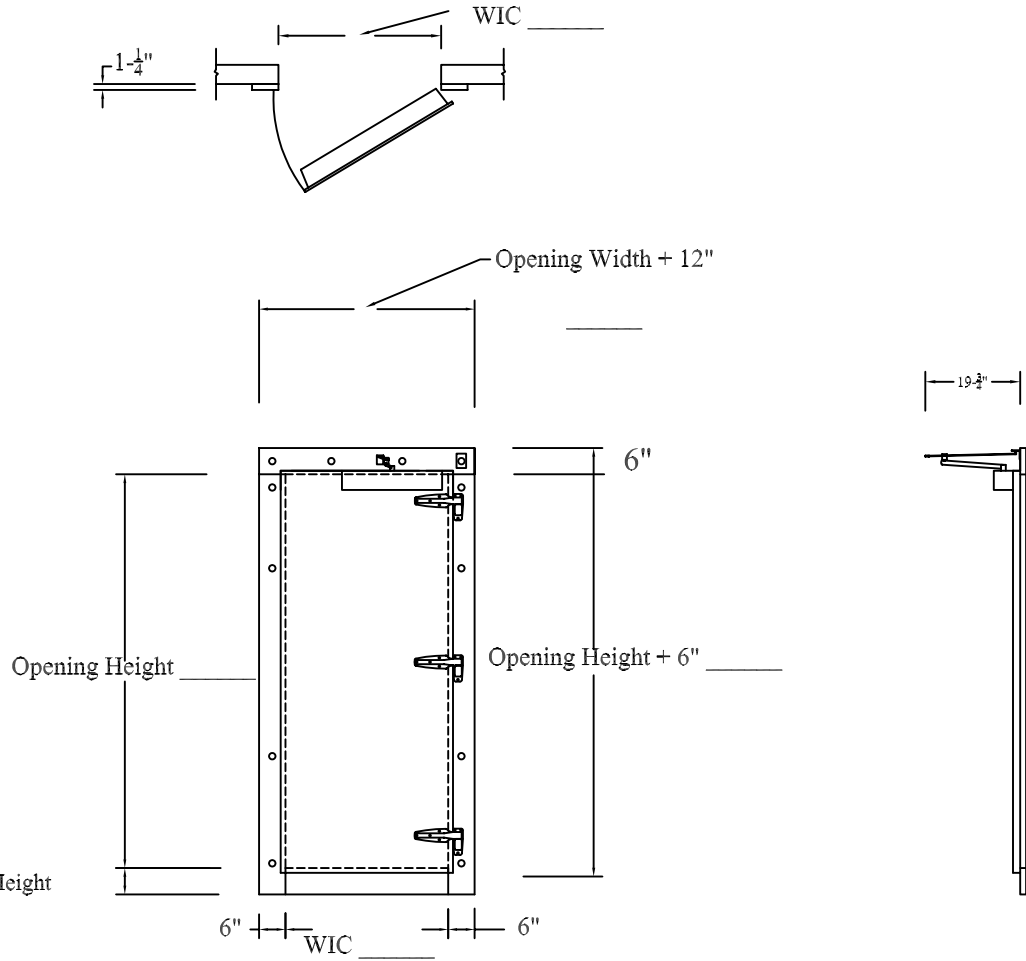




Job Number \_\_\_\_\_  
 Job Name \_\_\_\_\_  
 Date \_\_\_\_/\_\_\_\_/\_\_\_\_  
 Quantity \_\_\_\_\_  
 Signature \_\_\_\_\_  
 On Site Date \_\_\_\_\_

## Electric Right Hinge Extruded Aluminum Casing Frame With High Sill



**NET OPENING:** Width \_\_\_\_\_ Height \_\_\_\_\_

**FEATURES:**

Cooler \_\_\_\_\_ Freezer \_\_\_\_\_ \*\*

Temperature:

Interior \_\_\_\_\_ °F

Exterior \_\_\_\_\_ °F

Standard Gasket

Heat Cable: (4) Sided in Frame

**FINISH:**

**Exterior:**

Smooth: Galv \_\_\_\_\_ White \_\_\_\_\_ SS \_\_\_\_\_

Stucco: Galvalume \_\_\_\_\_ White \_\_\_\_\_ Alum \_\_\_\_\_

**Interior:**

Smooth: Galv \_\_\_\_\_ White \_\_\_\_\_ SS \_\_\_\_\_

Stucco: Galv \_\_\_\_\_ White \_\_\_\_\_ Alum \_\_\_\_\_

SPECIAL NOTES/INSTRUCTIONS: \_\_\_\_\_  
 \_\_\_\_\_  
 \_\_\_\_\_

**HARDWARE:**

Hinges ( ) \_\_\_\_\_

**SPECIAL OPTIONS:**

Backup Header & Casings \_\_\_\_\_

Return Jamb \_\_\_\_\_ Wall Thickness \_\_\_\_\_

Kick Plates:

Exterior: Alum \_\_\_\_\_ SS \_\_\_\_\_

Interior: Alum \_\_\_\_\_ SS \_\_\_\_\_

View Window:

Non-Heated \_\_\_\_\_ Heated \_\_\_\_\_

14 X 14 \_\_\_\_\_ 14 X 24 \_\_\_\_\_

**ELECTRIC OPERATORS:**

Power Source Voltage \_\_\_\_\_

Power Requirement: 230v/1/60

Control Stations:

2 (1-Button Switch Std) Add. Switches: (Qty) \_\_\_\_\_

Remote Control \_\_\_\_\_ Add. Remotes: (Qty) \_\_\_\_\_

Motion Detector \_\_\_\_\_