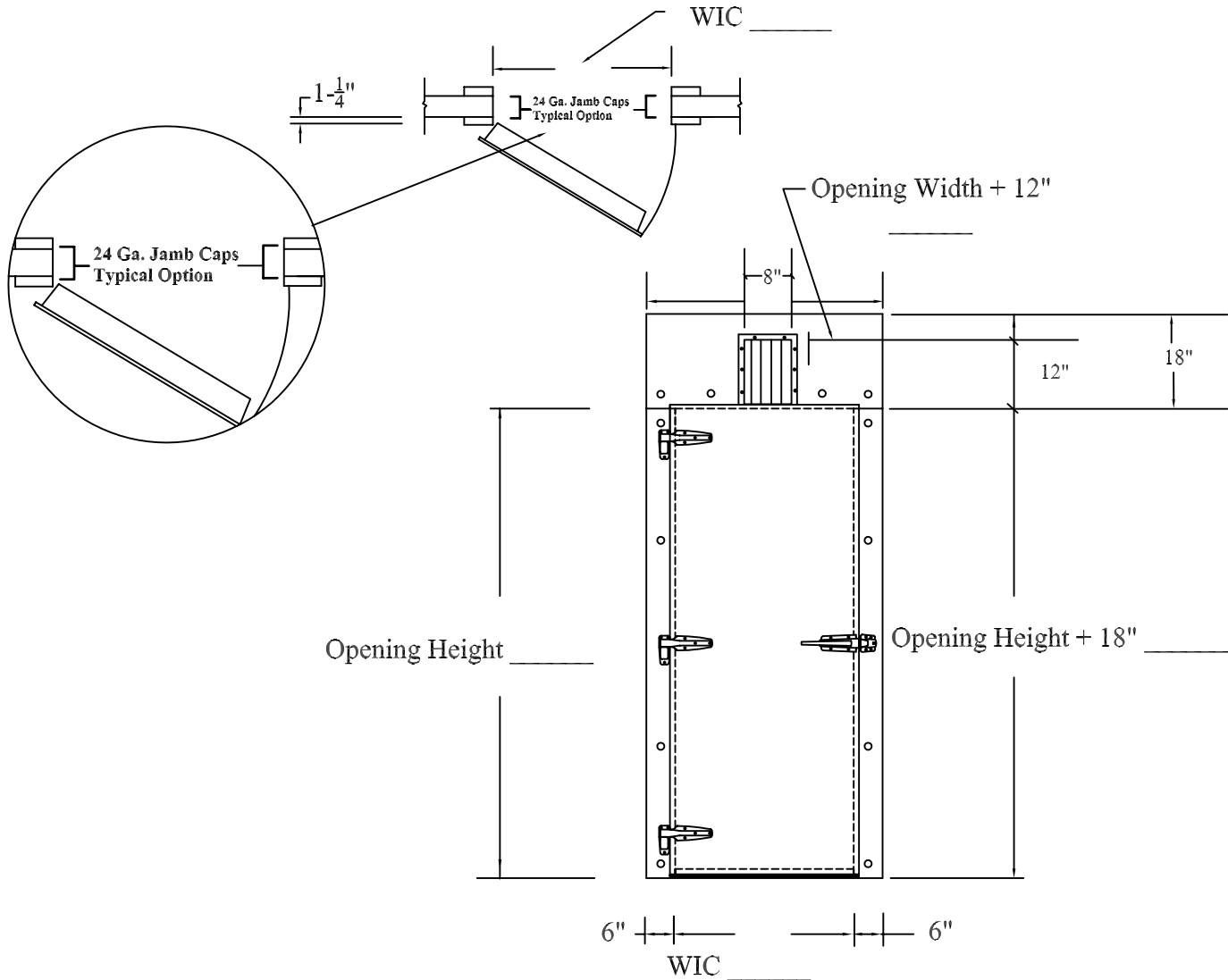




Job Number \_\_\_\_\_  
 Job Name \_\_\_\_\_  
 Date \_\_\_\_/\_\_\_\_/\_\_\_\_  
 Quantity \_\_\_\_\_  
 Serial Number \_\_\_\_\_

## Left Hinge Extruded Aluminum Trackport Casing Frame

With Sweep Bottom; 3 Sided Jamb Caps & Backup Casing



**NET OPENING:** Width \_\_\_\_\_ Height \_\_\_\_\_

**FEATURES:**

Cooler \_\_\_\_\_ Freezer \_\_\_\_\_\*  
 Temperature \_\_\_\_\_ °F  
 Standard Gasket \_\_\_\_\_  
 Heat Cable: 3 Sides of Frame & Door Bottom

**FINISH:**

**Exterior:**

Smooth: Galv \_\_\_\_\_ White \_\_\_\_\_ SS \_\_\_\_\_  
 Stucco:  
 Galvalume \_\_\_\_\_ White \_\_\_\_\_ Alum \_\_\_\_\_  
 Other: \_\_\_\_\_

**Interior:**

Smooth: Galv \_\_\_\_\_ White \_\_\_\_\_ SS \_\_\_\_\_  
 Stucco:  
 Galvalume \_\_\_\_\_ White \_\_\_\_\_ Alum \_\_\_\_\_  
 Other: \_\_\_\_\_

**HARDWARE:**

Hinges ( ) \_\_\_\_\_  
 Latch/Strike \_\_\_\_\_ Cyl. Lock \_\_\_\_\_  
 Inside Release \_\_\_\_\_ Closer \_\_\_\_\_

**SPECIAL OPTIONS:**

Backup Header & Casings \_\_\_\_\_  
 Return Jamb \_\_\_\_\_ Wall Thickness \_\_\_\_\_

**Kick Plates:**

Exterior: Alum \_\_\_\_\_ SS \_\_\_\_\_  
 Interior: Alum \_\_\_\_\_ SS \_\_\_\_\_

**View Window:**

Non-Heated \_\_\_\_\_ Heated \_\_\_\_\_  
 14 X 14 \_\_\_\_\_ 14 X 24 \_\_\_\_\_

**SPECIAL NOTES/INSTRUCTIONS:** \_\_\_\_\_  
 \_\_\_\_\_  
 \_\_\_\_\_