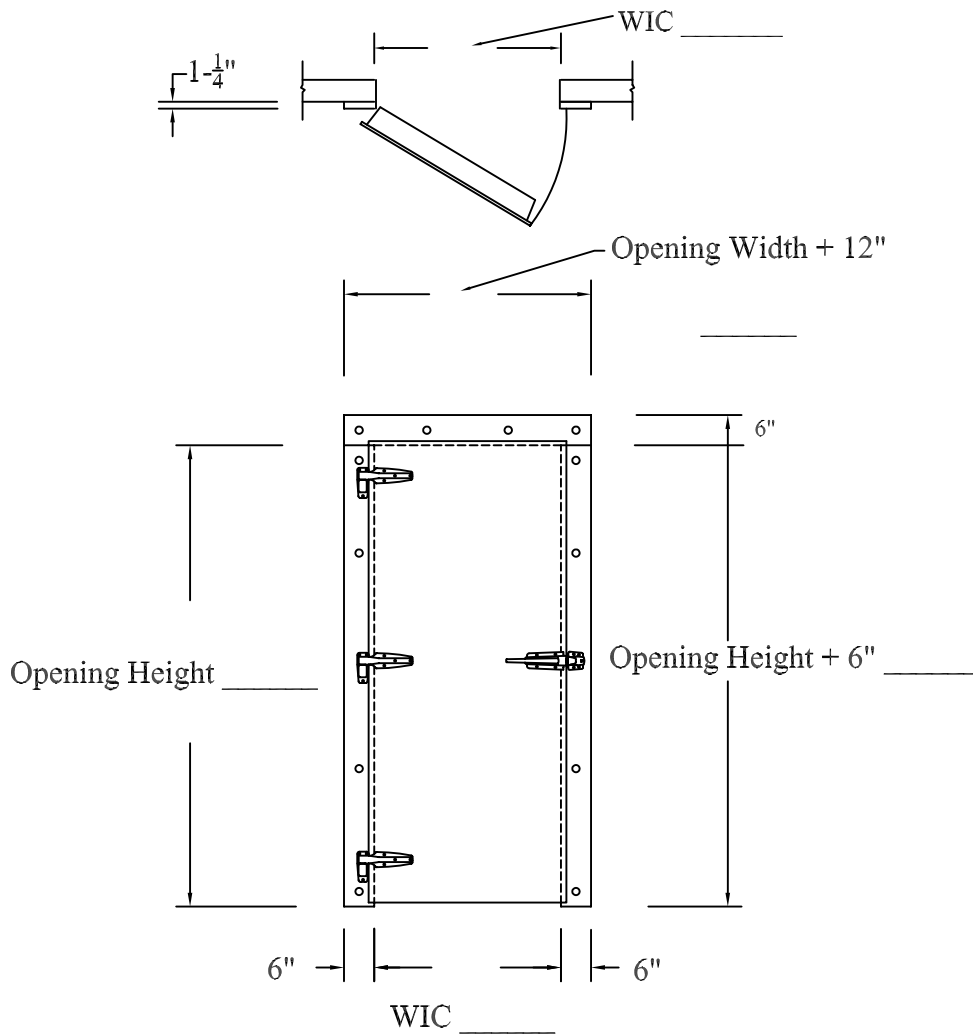




Job Number _____
 Job Name _____
 Date ____/____/____
 Quantity _____
 Serial Number _____

Left Hinge Extruded Aluminum Casing Frame Only

With Sweep Bottom



NET OPENING: Width _____ Height _____

FEATURES:

Cooler _____ Freezer _____ *
 Temperature _____ °F
 Standard Gasket _____
 *Heat Cable: (3) Sided In Frame & Door Bottom W/Sweep

FINISH:

Exterior:
 Smooth: Galv _____ White _____ SS _____
 Stucco:
 Galvalume _____ White _____ Alum _____
 Other: _____

Interior:
 Smooth: Galv _____ White _____ SS _____
 Stucco:
 Galvalume _____ White _____ Alum _____
 Other: _____

HARDWARE:

Hinges () _____
 Latch/Strike _____ Cyl. Lock _____
 Inside Release _____ Closer _____
 Panic Hardware _____

SPECIAL OPTIONS:

Backup Header & Casings _____
 Return Jamb _____ Wall Thickness _____
 Kick Plates:
 Exterior: Alum _____ SS _____
 Interior: Alum _____ SS _____
 View Window:
 Non-Heated _____ Heated _____
 14 X 14 _____ 14 X 24 _____

SPECIAL NOTES/INSTRUCTIONS: _____

