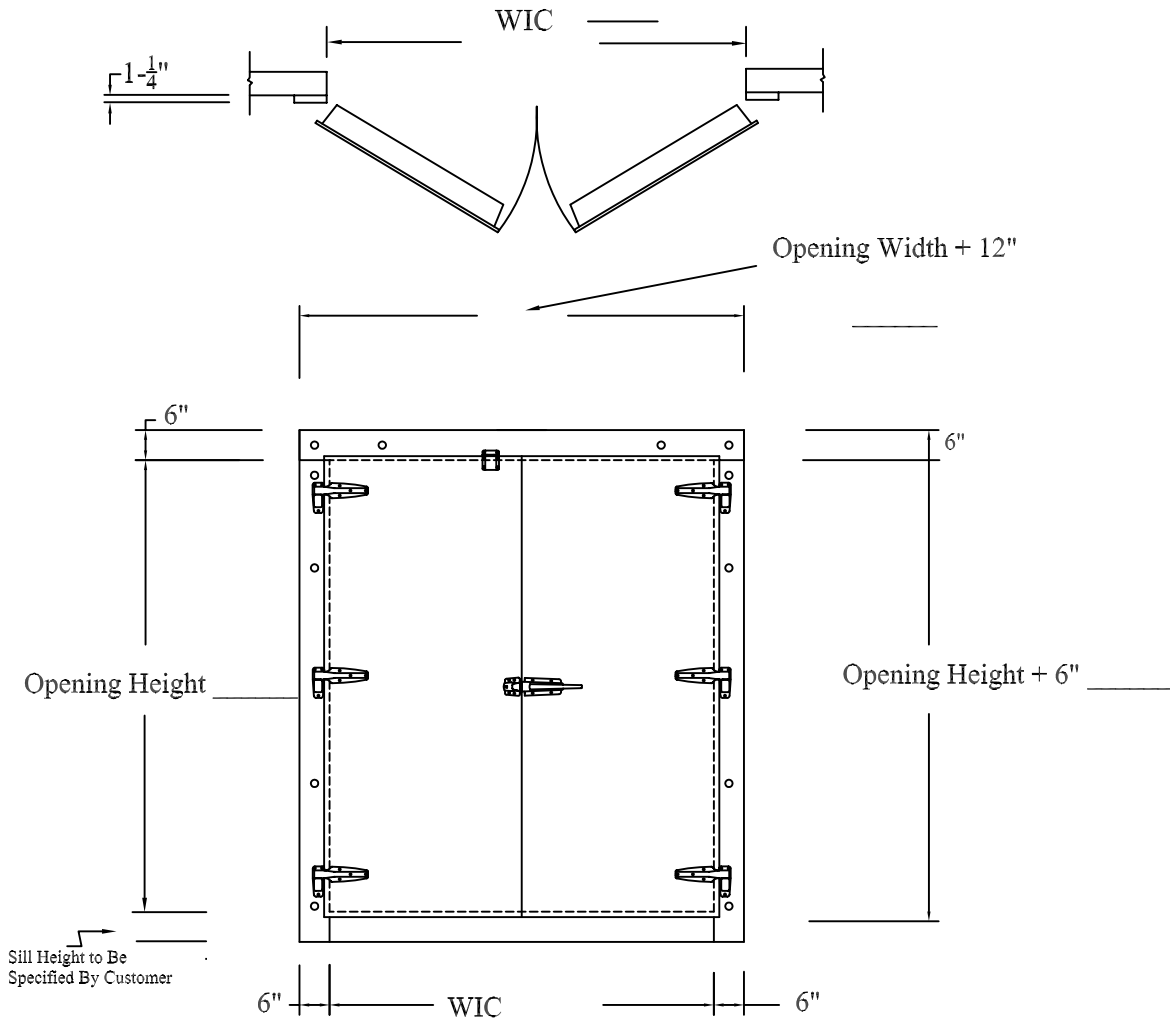




Job Number _____
 Job Name _____
 Date ____/____/____
 Quantity _____
 Serial Number _____

Double Door Extruded Aluminum Casing Frame

With High Sill



NET OPENING: Width _____ Height _____

FEATURES:

Cooler _____ Freezer _____ *
 Temperature _____ °F
 *Heat in 4 Sides of Frame

FINISH:

Exterior:

Smooth: Galv _____ White _____ SS _____
 Stucco: _____
 Galvalume _____ Galv _____ White _____ Alum _____
 Other: _____

Interior:

Smooth: Galv _____ White _____ SS _____
 Stucco: _____
 Galvalume _____ Galv _____ White _____ Alum _____
 Other: _____

HARDWARE:

Hinges () _____
 Latch/Strike _____ Cyl. Lock _____
 Inside Release _____ Closer _____
 Panic Hardware _____

SPECIAL OPTIONS:

Backup Header & Casings _____
 Return Jamb _____ Wall Thickness _____
 Kick Plates:

Exterior: Alum _____ SS _____
 Interior: Alum _____ SS _____

View Window:

Non-Heated _____ Heated _____
 14 X 14 _____ 14 X 24 _____

SPECIAL NOTES/INSTRUCTIONS: _____

